

# PERMATIMBER®

LOW MAINTENANCE. PRE-FINISHED. CLADDING

## CX ORIGINAL CLADDING

PermaTimber® CX Original Cladding is a high-performance composite, which boasts minimal maintenance. Being far lighter than traditional external timber cladding products, our Cladding is faster and simpler to install. A full set of finishing trims are available for ease of install and a seamless finish.



Please ensure you download and read a copy of the **PermaTimber® Original CX Cladding** Installation guide prior to, and during your installation. Failure to do so will void your warranty.

You can download the guide by scanning the QR Code or visiting [www.permacomposites.com/brochure-installation-guide-library/](http://www.permacomposites.com/brochure-installation-guide-library/)

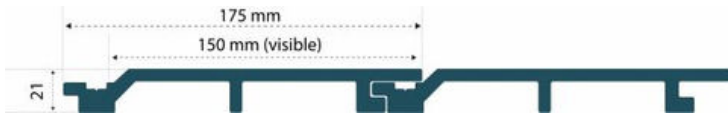


**Features**

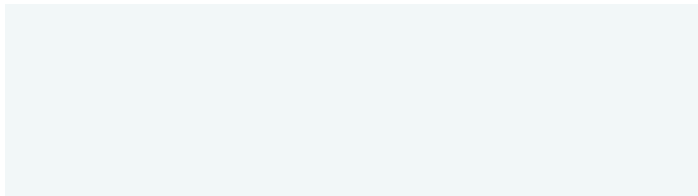
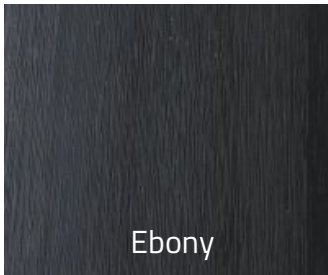
- **Low Maintenance:** No oiling, painting, or staining is required!
- **Quick and Easy to Install:** Full trim system is available.
- **Insect and Salt Resistant:** Never fear white ants or termites again!
- **Eco - Friendly:** Made from 87% recycled materials.
- **UV Stabilised:** We've included UV inhibitors so colour holds.
- **Sleek Natural Look:** Get that traditional timber finish without the hassle.
- **Installation:** Can both be Installed vertical or horizontal.



**Profile**



**Colours**



Distributor

**Order Codes**

Cladding - Ebony	CCXOREBOC
Cladding - Spotted Gum	CCXORSPGC
Cladding - Tasmanian Oak	CCXORTAOC

**Specifications**

Board Dimensions	150 x 21 x 5400mm
Span	600mm
Weight per Board	11.30kg
Weight per LM	2.4kg
Board SQM	0.81sqm
Weight per SQM	14kg

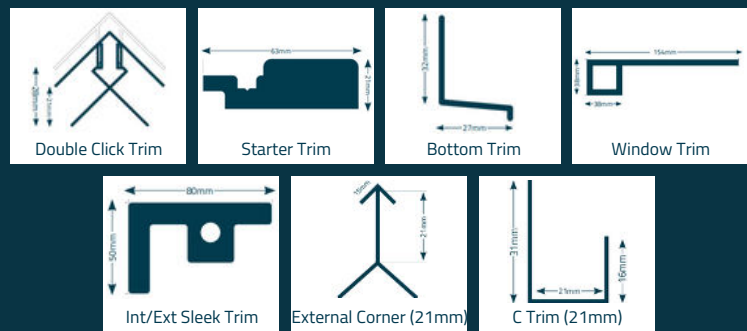
**Certification**

**Fire Rating**  
*AS ISO 9239.1-2003\_R2016*      4.2kw/m2

**\*Fire Rating BAL19 version also available via custom order.**

\*Please consult PermaTimber® for more information.

**Fixings**



Please ensure the product is purchased in job lots for colour consistency. Colour may vary in different batches. It is the installers responsibility to ensure colour consistency prior to install.

\*Photos for illustrative purposes only.